



6 FT KIDS WAVY SLIDE

MODEL# 2305WS
PRODUCT MANUAL - VERSION 5.23.01

FOR AGES:

3-7

WEIGHT LIMIT:

100 Lbs
45.35 Kg

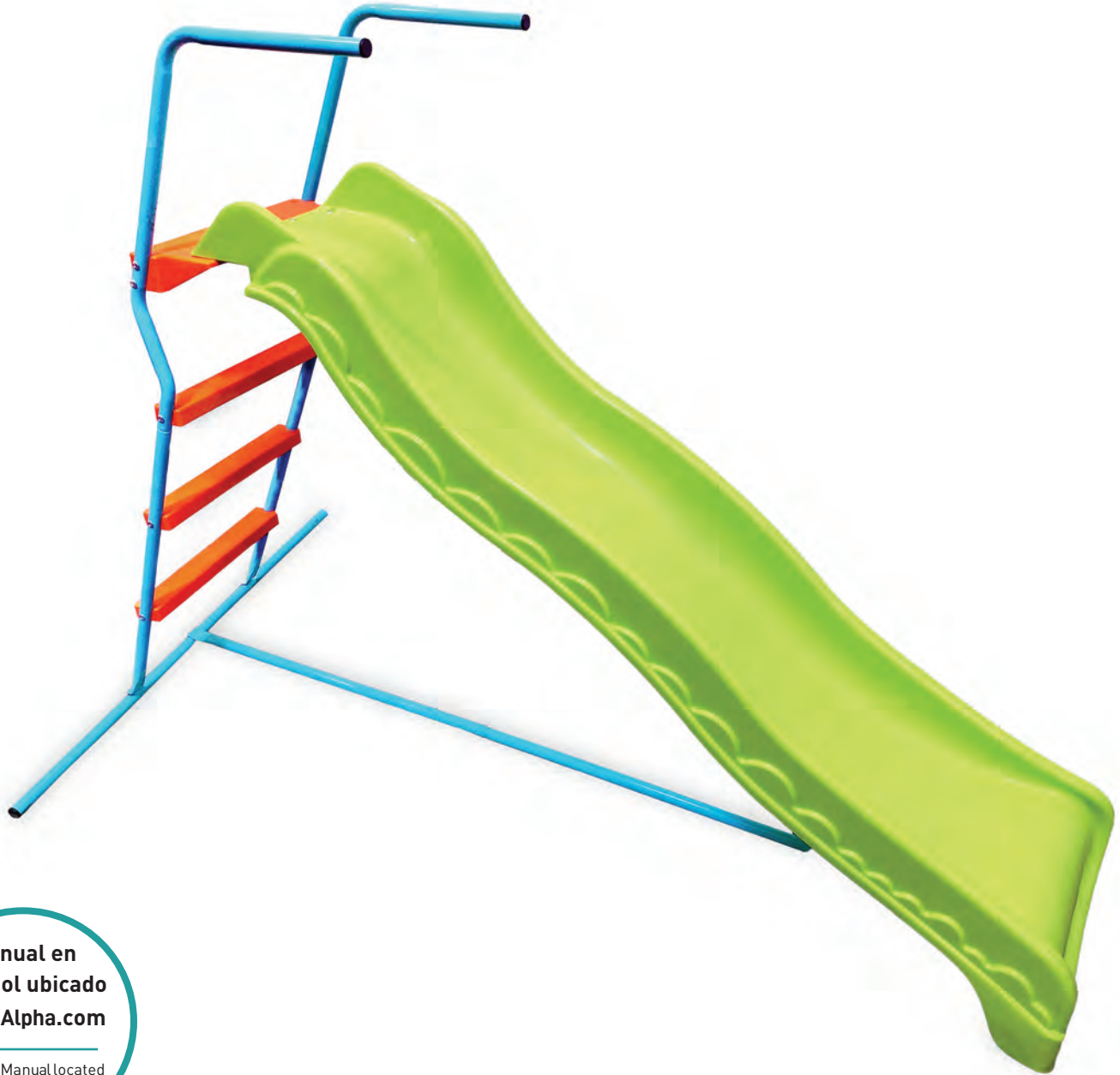
TO BUILD:



TO BUILD:



HOW-TO
VIDEOS ONLINE



Manual en
español ubicado
en GQAlpha.com

Spanish Manual located
at GQAlpha.com

CUSTOMER SERVICE

GQAlpha.com • CustomerService@GQAlpha.com • 1-800-837-7732 • 12798 Perimeter Rd Ste C 106 Dallas Tx 75228



CUSTOMER SERVICE INFORMATION

Thank you for purchasing:
6FT WAVY SLIDE
MODEL# 2305WS

If you have an issue with your item, do not return. Please report items that are damaged or missing parts to the manufacturer GQ Alpha within three days of delivery. Contact customer service at customerservice@gqalpha.com to open a ticket.

At GQ Alpha®, we want all of our customers to be completely satisfied with their purchase. Take time to review the contents of the product you have just received to make sure that all of the parts are included. If you find that any parts are missing or damaged, we will provide replacement parts at no charge within 30 days of purchase.

Please keep in mind that for select damaged part replacement requests, we will require a photo for submission.

Please Note: In the interest of better quality and value, we are constantly improving and updating our product information. Most up to date manuals, warnings and product information can be found at:
<https://www.gqalpha.com/>

To order these parts, or if you have any other questions or concerns about this GQ Alpha product, please contact us at

GQalpha.com®
Phone: 1-800-837-7732
Email: CustomerService@GQAlpha.com
12798 Perimeter Rd Ste C 106 Dallas Tx 75228

Please be sure to include the following information when you contact Customer Service:

YOUR NAME: _____

YOUR MAILING ADDRESS: _____

YOUR EMAIL ADDRESS: _____

PRODUCT NAME: _____

PRODUCT MODEL#: _____

PART NUMBER _____

RETAILER WHERE PURCHASED: _____

DATE OF PURCHASE: _____

ORDER NUMBER: (If Available) _____

QUANTITY NEEDED: _____

SERIAL NUMBER: _____

LIMITED WARRANTY

GQ Alpha® warrants this product to be free from defects in workmanship and materials under normal use and conditions for a period of **90 DAYS FROM THE DATE OF ORIGINAL PURCHASE**. This Limited Warranty is not transferable and is available only for the original purchaser of the Product. The Company's obligation under this warranty is limited to replacing or repairing the Product, at the discretion of the company.

All warranty coverage extends only to the original retail purchaser from the date of purchase. GQ Alpha obligation under this warranty is limited to replacing or repairing, at GQ Alpha® option. All products for which a warranty claim is made must be received by GQ Alpha® and accompanied by sufficient proof of purchase (photocopy of the original store receipt, indicating the date of purchase). All freight and handling fees are the responsibility of the consumer to pay, both to and from GQ Alpha®. All warranty claims must be pre-authorized by GQ Alpha® pre-authorization can be obtained by calling 1-800-837-7732.

This warranty does not cover ordinary wear and tear, weathering, failure to follow directions, improper installation, improper maintenance, or acts of nature, (such as damage caused by wind, lightning, snow, water, or ice) weather damage, damage caused by unauthorized repair work or damage caused by improper use of the products are not covered by the product warranty. No other warranty beyond that specifically set forth above is authorized by GQ Alpha®.

GQ ALPHA® IS NOT RESPONSIBLE OR LIABLE FOR INDIRECT, SPECIAL OR CONSEQUENTIAL DAMAGES ARISING OUT OF OR IN CONNECTION WITH THE USE OR PERFORMANCE OF THE PRODUCT OR OTHER DAMAGES WITH RESPECT TO ANY ECONOMIC LOSS, LOSS OF PROPERTY, LOSS OF REVENUE OR PROFITS, LOSS OF ENJOYMENT OR USE, COST OF REMOVAL, INSTALLATION OR OTHER CONSEQUENTIAL DAMAGES. SOME STATES DO NOT ALLOW THE EXCLUSION OR LIMITATION OF INCIDENTAL OR CONSEQUENTIAL DAMAGES. ACCORDINGLY,

THE ABOVE LIMITATION MAY NOT APPLY TO YOU. THE WARRANTY EXTENDED HEREUNDER IS IN LIEU OF ALL OTHER WARRANTIES AND GQ ALPHA®, SPECIFICALLY DISCLAIMS ANY IMPLIED WARRANTY OF MERCHANTABILITY OR FITNESS FOR A PARTICULAR PURPOSE IS LIMITED IN ITS SCOPE AND DURATION TO THE TERMS SET FORTH HEREIN. SOME STATES DO NOT ALLOW LIMITATION ON HOW LONG AN IMPLIED WARRANTY LASTS. ACCORDINGLY, THE ABOVE LIMITATION MAY NOT APPLY TO YOU. THIS WARRANTY GIVES YOU SPECIFIC LEGAL RIGHTS. YOU MAY ALSO HAVE OTHER RIGHTS, WHICH VARY FROM STATE TO STATE.

WHILE EVERY ATTEMPT IS MADE TO ENSURE THE HIGHEST DEGREE OF PROTECTION IN ALL EQUIPMENT, WE CANNOT GUARANTEE FREEDOM OF INJURY. THE USER ASSUMES ALL RISK OF INJURY DUE TO USE OR INSTALLATION. ALL MERCHANDISE IS SOLD ON THIS CONDITION, WHICH NO REPRESENTATIVE OF GQ ALPHA® CAN WAIVE OR CHANGE.

WARNINGS



IMPORTANT MESSAGE

Please read all of the warnings and directions below prior to assembly. This trampoline comes equipped with warnings and instructions for the assembly, care, maintenance and use of the trampoline. This information must be read by all trampoline supervisors and users before any person is allowed to jump on the trampoline.

ADULT ASSEMBLY REQUIRED
CHOKING HAZARD - Small Parts
NOT for children under 3 years of age.

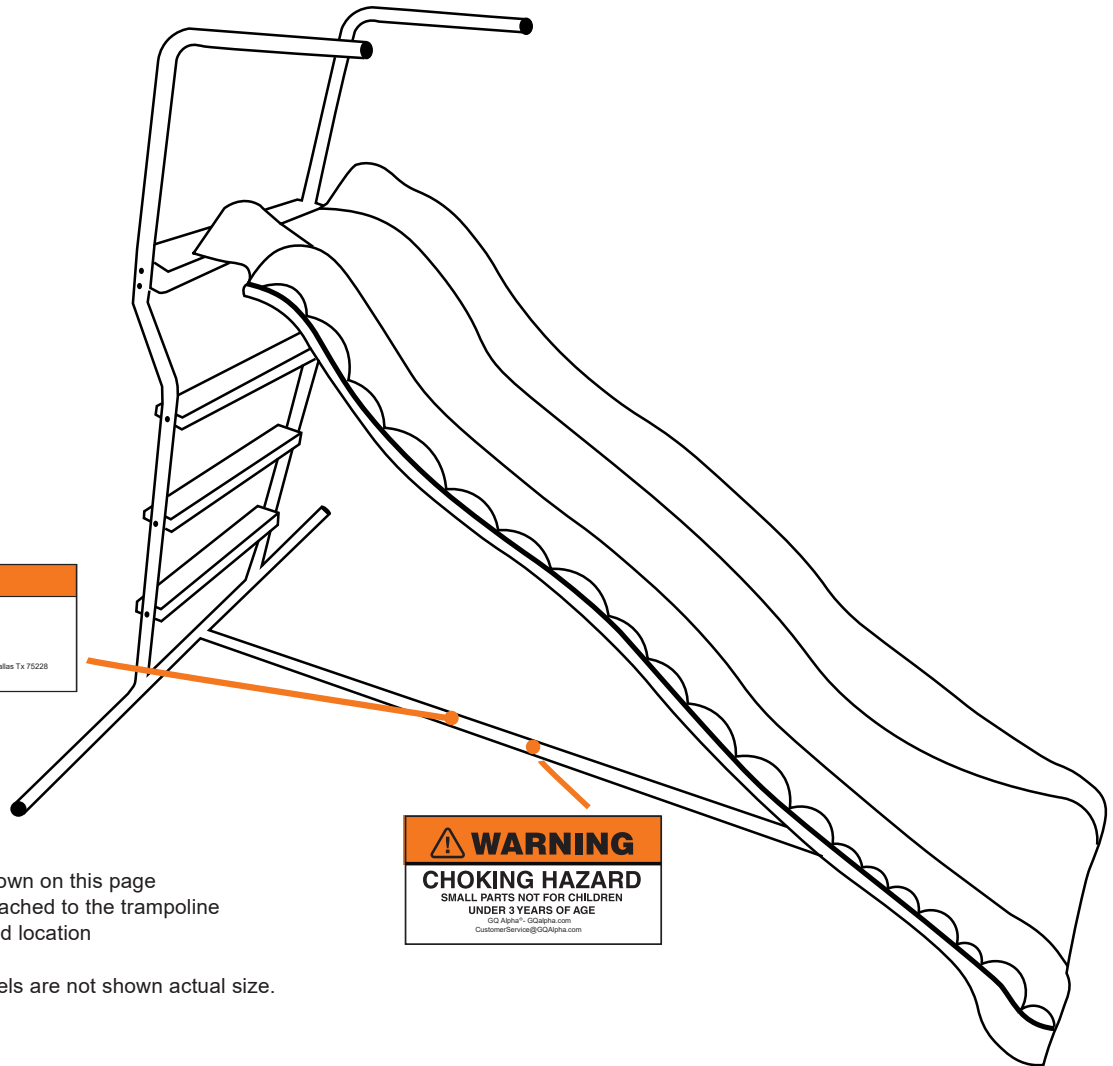
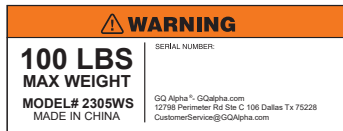
WARNING:

While every attempt is made to ensure the highest degree of protection in all equipment, we cannot guarantee freedom from injury. The user assumes all risks of injury due to use and installation. All merchandise is sold on this condition, which no representative of the company can waive or change.

PROPOSITION 65

THIS PRODUCT CAN POSSIBLY EXPOSE YOU TO CHEMICALS INCLUDING DI(2-ETHYLHEXYL) PHTHALATE (DEHP), WHICH IS KNOWN TO THE STATE OF CALIFORNIA TO CAUSE CANCER AND BIRTH DEFECTS OR OTHER REPRODUCTIVE HARM. FOR MORE INFORMATION GO TO WWW.P65WARNINGS.CA.GOV.

⚠ WARNING LABEL LOCATIONS



The labels shown on this page have been attached to the trampoline in the indicated location

Note: The labels are not shown actual size.



WARNINGS & SAFETY INFORMATION

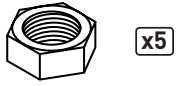
Please read these warnings and the information in this manual in its entirety.

Failure to comply with the following instructions may increase the risk of serious injury and/or death:

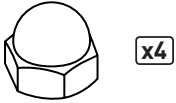
- The owner and supervisors of this slide are responsible to make sure all users are aware of the warnings and use specified in this manual.
- Ensure the slide has been assembled correctly, per the instructions in the manual.
- It is essential that the intended site for this slide is completely flat and level. If the ground is not level this will cause movement in the frame and could cause stress on the joined sections.
- DO NOT exceed the maximum weight limit of 100lbs (45.35kgs) regardless of age.
- The contents are not suitable for children under 3 years. This product contains small parts, which may cause choking.
- DO NOT install this equipment over concrete, asphalt, or any other hard or rough surface. The Wavy Slide should always be installed over an appropriate, stable surface (rubber mat, grass, etc). It is recommended that whenever possible the ground anchors are used and firmly inserted into the ground.
- Carpeting and thin mats are generally not adequate protective surfacing. Ground level equipment—such as a sandbox, activity wall, playhouse or other equipment that has no elevated play surface—does not need any protective surfacing.
- ALWAYS locate this equipment on a stable, level surface AT LEAST 7 feet away from any structure, obstruction, or possible hazard(s) such as walls, pools, power lines, overhangs, other playground equipment, driveways, hard surfaces and/or roadways.
- Children must be supervised at all times when using this equipment. DO NOT leave children unattended at any time. This Wavy Slide is NOT for adult or adolescent use.
- Use this slide only with mature, knowledgeable supervision.
- DO NOT attach items to the Wavy Slide not specifically designed for this purpose. Especially in the case of jump ropes, chains, clotheslines, pet leashes and cables. These may cause a strangulation or physical hazard.
- This Wavy Slide is only designed for family residential use. NOT intended for commercial applications and/or use in public areas such as schools, parks, nurseries, day schools, etc. This type of use will void the warranty.
- Children MUST NEVER use the slide unless supervised by a responsible adult with knowledge of use. DO NOT leave children unattended at any time.
- Immediately discontinue use if any breakage to the frame assembly or chute is found. Failure to do this may result injury and/or further damage to the product.
- Instruct children to always be sure that the chute opening at the bottom is clear of any persons, pets or obstructions before sliding.
- DO NOT allow children to wear glasses or helmets when using the Wavy Slide.
- At the time of disposal, this item must be completely disassembled and separated into its component types (metals, plastics) for recycling or pick-up according to local ordinances for sanitation pickup.
- DO NOT allow children to wear loose fitting clothing, clothing with straps/loops, backpacks or wear and/or hold accessories with straps or loops, or any article of clothing or accessory with sharp edges which may present a hazard or become snagged or caught on the Wavy Slide during use. Serious injury and/or accidental strangulation may occur.
- DO NOT place objects on or under the slide, or allow people and pets to stand or sit on, near or under the Wavy Slide and Ladder when in use.
- DO NOT allow children to stand on the slide, attempt to walk up the slide or hang from the steel tubing – this can cause serious injury. Children must ALWAYS remain securely seated, in the forward facing position when sliding. Do not lay down, slide from a standing position, or slide down the chute back-wards. DO NOT allow children to stand on the slide top.
- Maintain a minimum depth of 9 inches of loose-fill materials such as wood mulch/ chips, engineered wood fiber (EWF), or shredded/recycled rubber mulch for equipment up to 8 feet high; and 9 inches of sand or pea gravel for equipment up to 5 feet high.
- Use a minimum of 6 inches of protective surfacing for play equipment less than 4 feet in height. If maintained properly, this should be adequate. (At depths less than 6 inches, the protective material is too easily displaced or compacted.)
- Use containment, such as digging out around the perimeter and/or lining the perimeter with landscape edging. Don't forget to account for water drainage.
- Check and maintain the depth of the loose-fill surfacing material. To maintain the right amount of loose-fill materials, mark the correct level on play equipment support posts. That way you can easily see when to replenish and/or redistribute the surfacing.
- Please read and refer to other warnings and use information in the Wavy Slide instructions before use.
- Before each use of this product and twice per month, inspect and re-place any worn, loose, defective or missing parts and/or bolts.
- The frame of your slide is made of steel and it will conduct electricity. No electrical equipment (lights, heaters, etc.) should be permitted on or around the trampoline under any circumstance.
- No modification should be carried out to the trampoline or any of its components. Any modification could lead to damage to the product or result in a personal injury.
- Please read and refer to other warnings and use information in the trampoline instructions before use.
- Dispose of all packaging materials safely and per local ordinance.
- Keep these instructions for future reference.

PARTS LIST

1 - M6 Nut



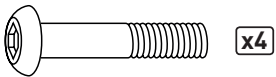
2 - M6 Dome Nut



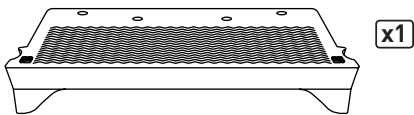
3 - M6 15mm Bolt



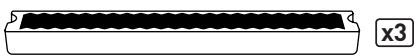
4 - M6 35mm Bolt



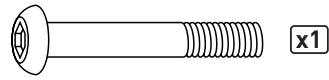
10 - Ladder Platform



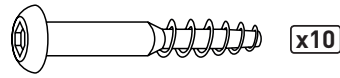
11 - Ladder step



5 - M6 45mm Bolt



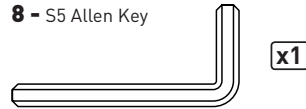
6 - M6 45mm Screw



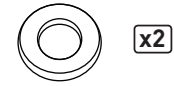
7 - Ground Anchor



8 - S5 Allen Key



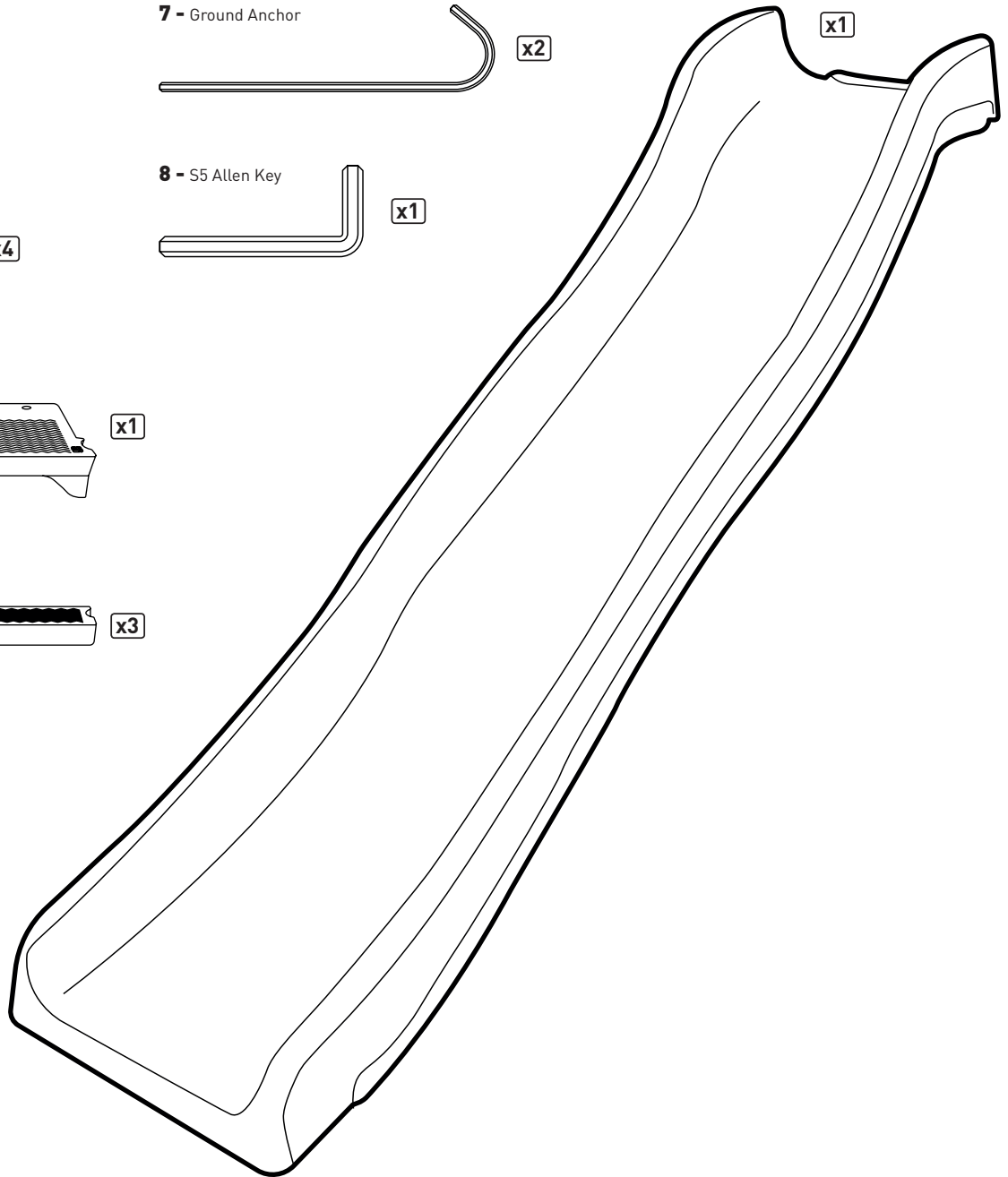
2a - Washer



3a - Black Cap

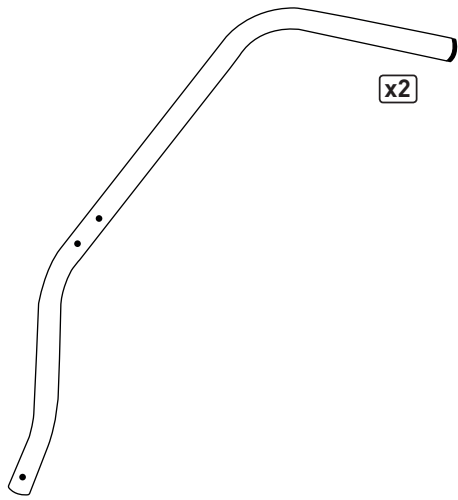


9 - Slide Chute

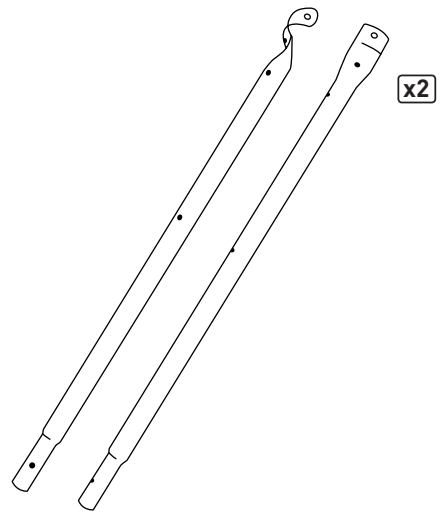


PARTS LIST

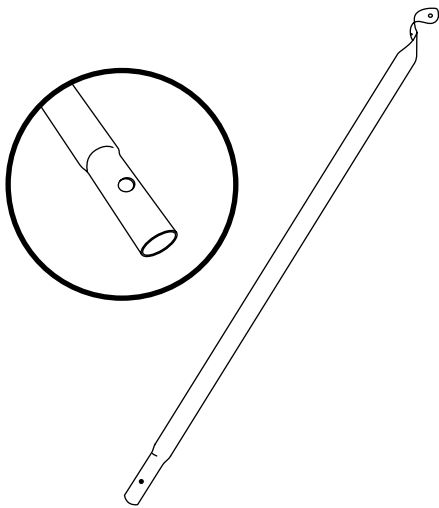
12 - Hand Rail Tube (Top)



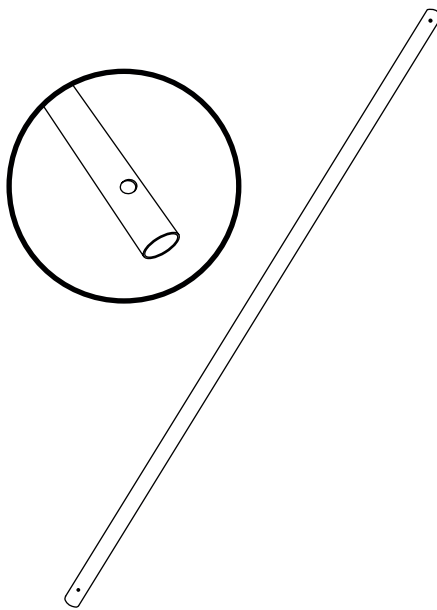
13 - Hand Rail Tube (Bottom)



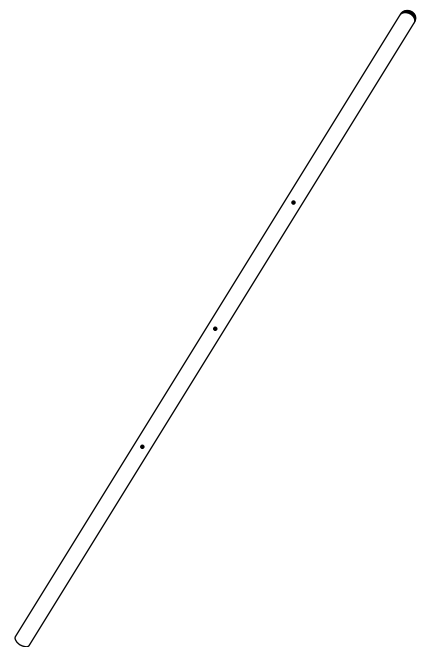
14 - Base Tie Bar (Male)



15 - Base Tie Bar (Female)

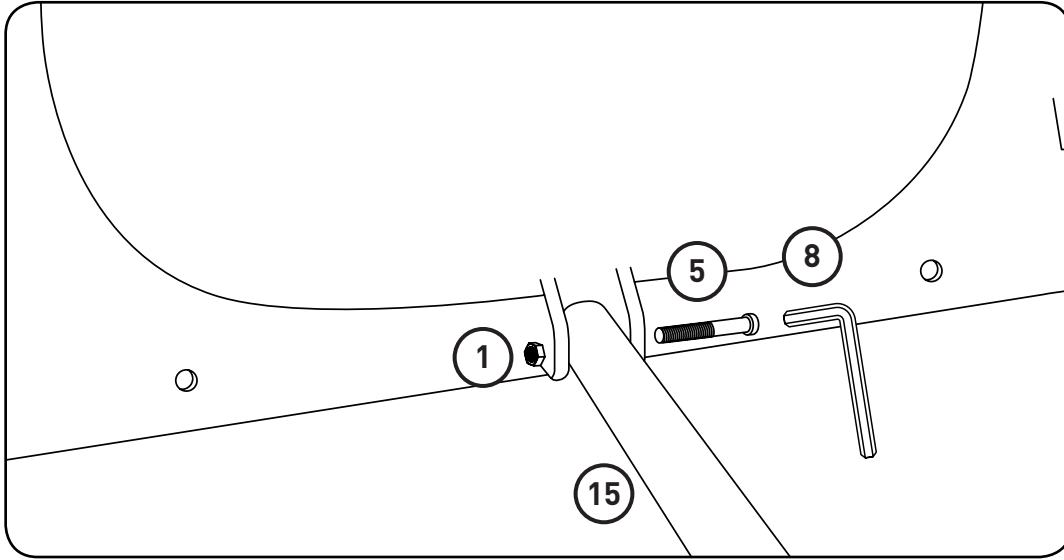


16 - Ladder Stabilizer



ASSEMBLY INSTRUCTIONS

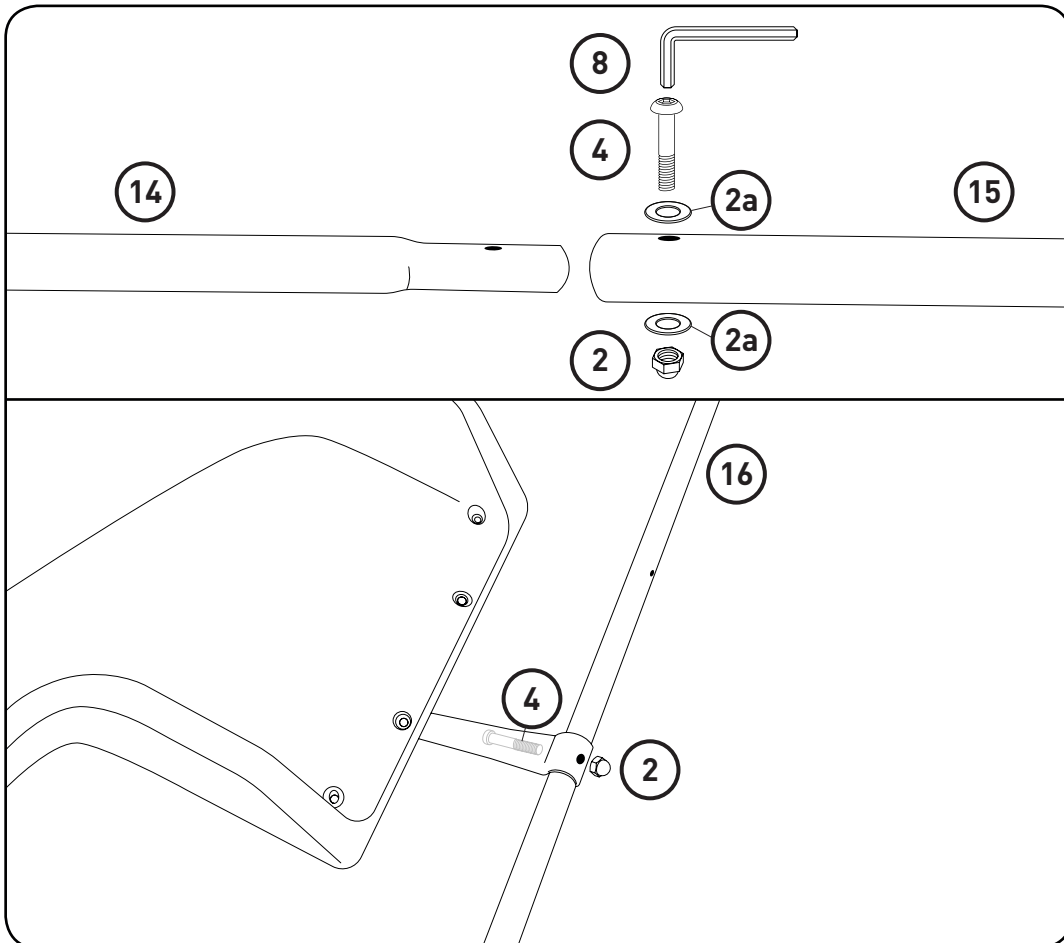
STEP 1



Insert the Female Base Tie Bar (15) at the slide end of Slide Chute (9).

Using M6 45mm Bolt (5) screw it with M6 Nut (1) and tighten them using S5 Allen Key (8).

STEP 2

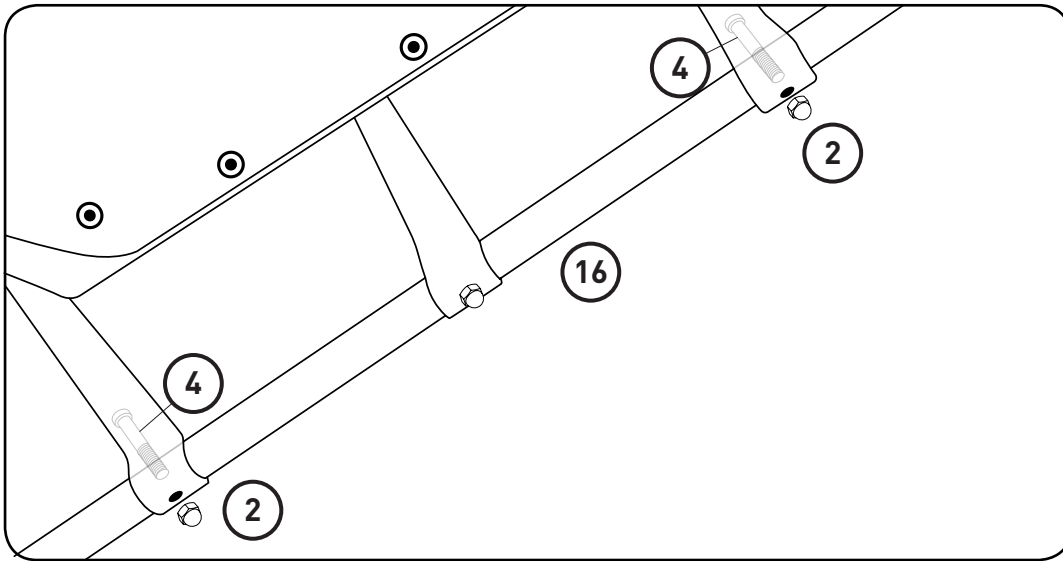


Connect Male Base Tie Bar (14) to Female Base Tie Bar (15), add Washer (2a) on top and bottom and tighten using M6 35mm Bolt (4) with M6 Dome Nut (2).

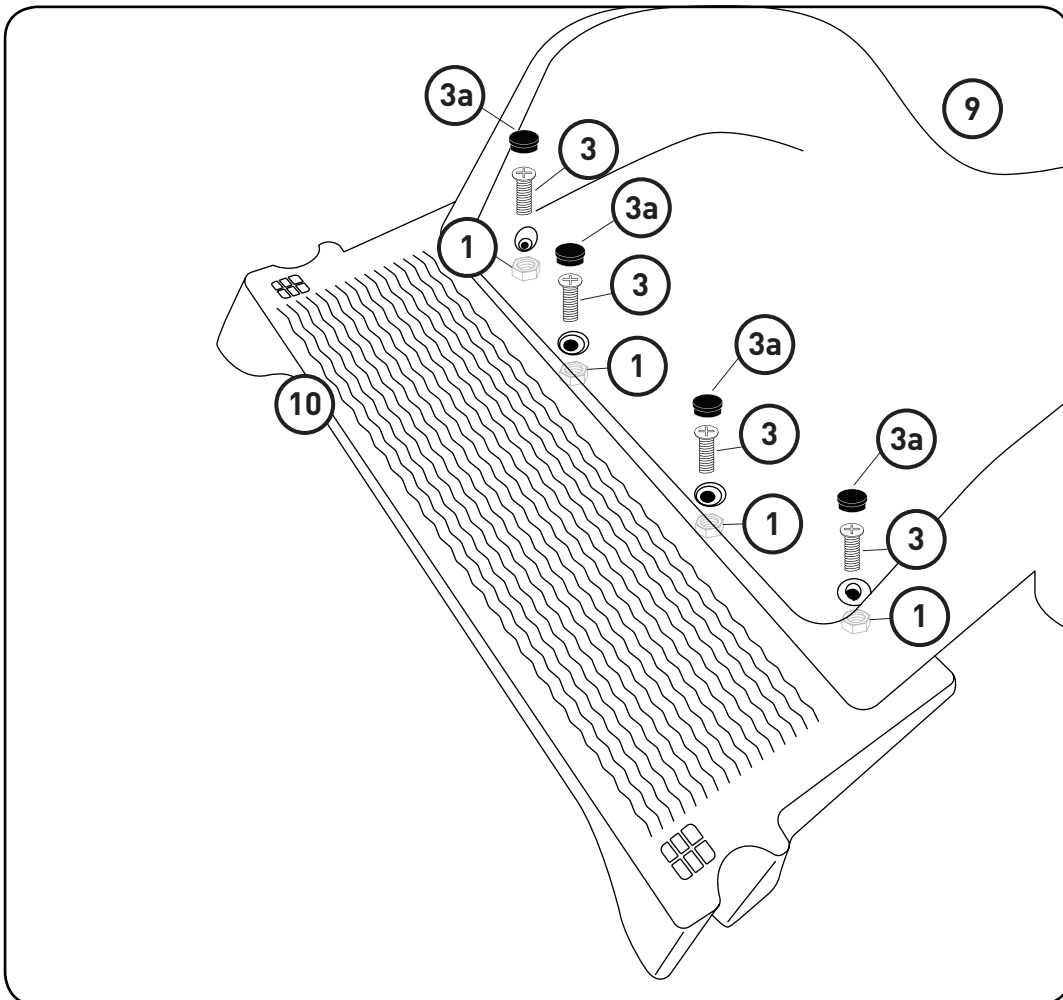
At the other end of Female Base Tie Bar (15), connect Ladder Stabilizer (16)

ASSEMBLY INSTRUCTIONS

STEP 3



Attach both Hand Rail Tube bottom (13) to Ladder Stabilizer (16), tighten them using M6 Dome Nut (2) and M6 35mm Bolt (4)

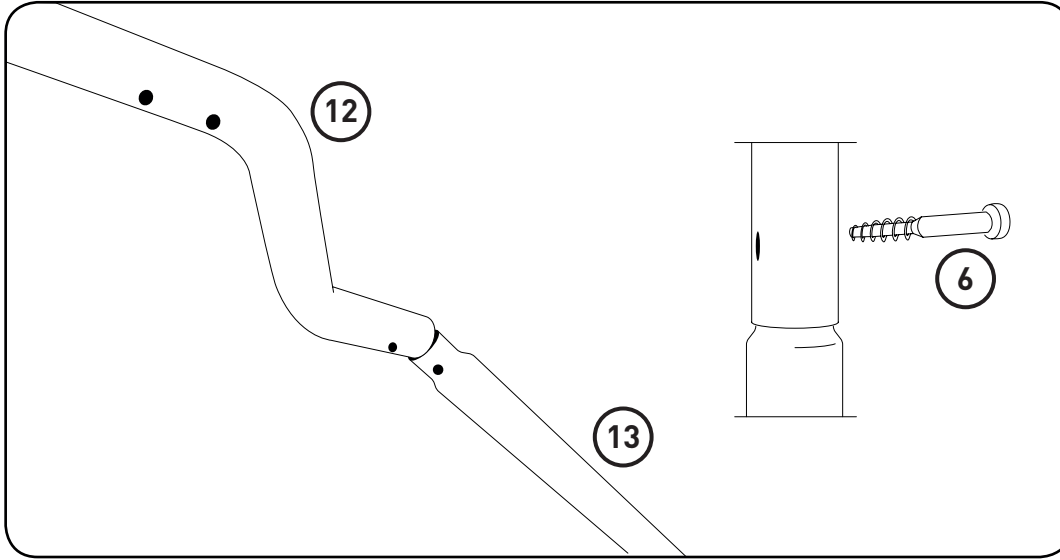


Place the Ladder Platform (10) to the top side of Slide Chute (9), use M6 15mm Bolt (3) with M6 Nut (1) to hold the platform.

Insert Black Cap (3a) on top of the Bolt to prevent getting hurt

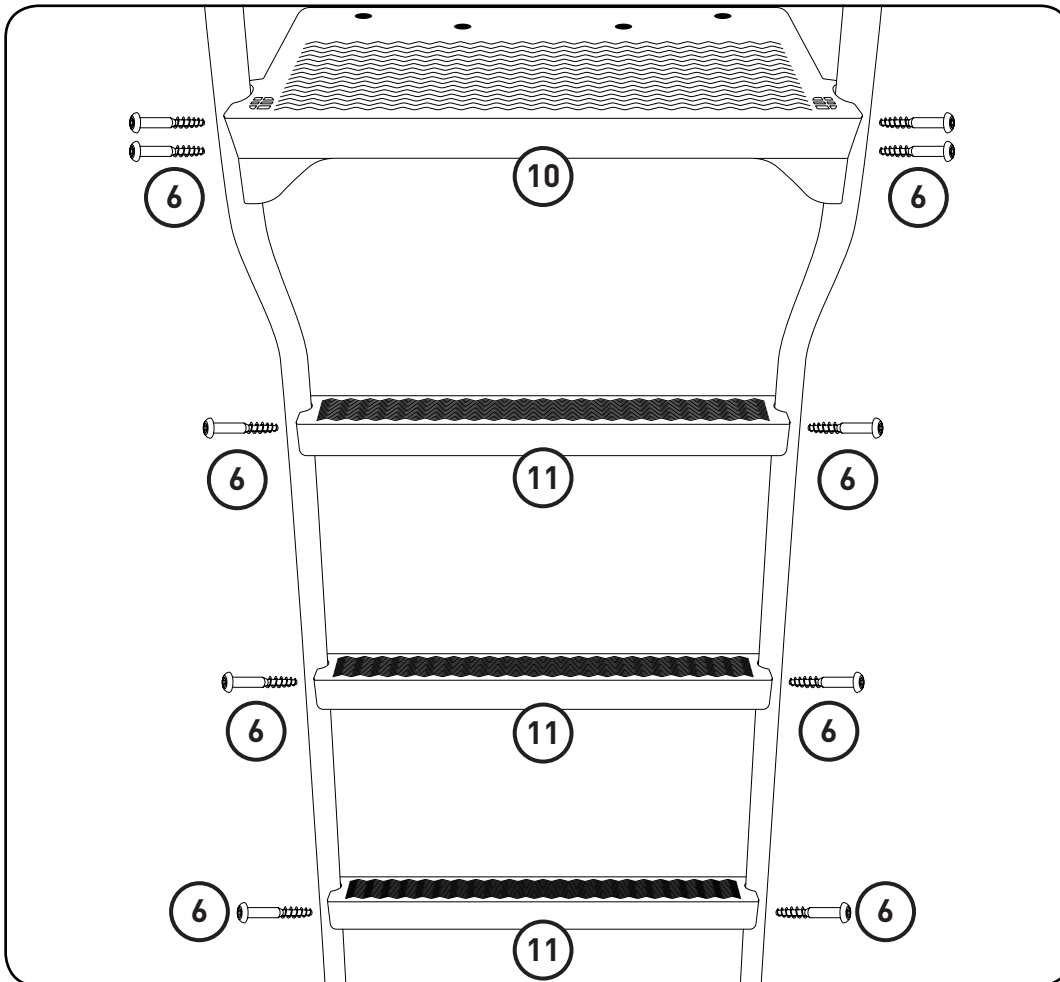
ASSEMBLY INSTRUCTIONS

STEP 4



Connect both Top Hand Rail Tube (12) and Hand Rail Tube Bottom (13) and use M6 45mm Screw (6) to tighten them.

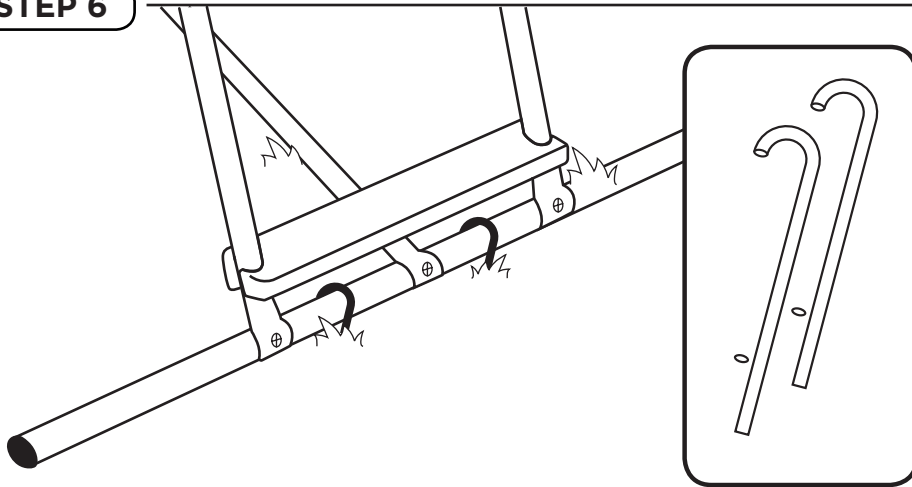
STEP 5



Connect Ladder Platform (10) and Ladder Steps(11) to Hand Rail Tubes and use M6 45mm Screw (6) to tighten them.

ASSEMBLY INSTRUCTIONS

STEP 6



If the Wavy Slide is placed outdoors, use the Ground Anchors (7) to secure it to soft ground to prevent sliding or turning.

FREQUENTLY ASKED QUESTIONS

Question: "A part is damaged, how do I replace it?"

Answer: If you are still within your warranty period (90 days from initial purchase) You should contact customer service. You can also purchase select replacement parts at: www.gqalpha.com

Question: "I had a part missing from my box" or "something was damaged during assembly, can you send it to me?"

Answer: If it has been 30 days or less from the date of your initial purchase, you can contact customer service for a replacement part to be issued.

Question: "Can this be used indoors and outdoors?"

Answer: Yes this product is intended to be used inside or outside.

CARE & MAINTENANCE

- It is essential that the intended site for this slide is completely flat and level. If the ground is not level this will cause movement in the frame and could cause stress on the joined sections.
- Before each use of this product, inspect the entire assembly and replace any worn, defective or missing parts.
- Check nuts and bolts twice a month and tighten as needed.
- Check to make sure protective caps and plugs that cover bolt ends and ends of tubing are in place and tight. Inspect twice a month and replace as needed.
- Winterizing & Storage - In extreme weather conditions such as snow or intense heat. We highly recommend disassembling and storing your slide. Do not store in a garage or shed that that can get over 90 degrees fahrenheit.
- Clean the slide first (Refer to Cleaning your Slide)
- Once everything is clean, dry and prepped, it's time to decide where to put it. If you have no other option, you can leave everything outdoors, but do consider investing in fitted covers.

Cleaning your Slide

- If any part of the slide requires cleaning - Make a cleaning solution using warm water and a mild dish detergent. This will help scrub free any dirt caked on to the slide.
- You'll want to use an abrasive rag or hand towel to scrub the slide from top to bottom. Once the slide is free of the years of outside dirt, rinse off the soapy solution with the garden hose.
- Make sure the slide is completely dry before use.